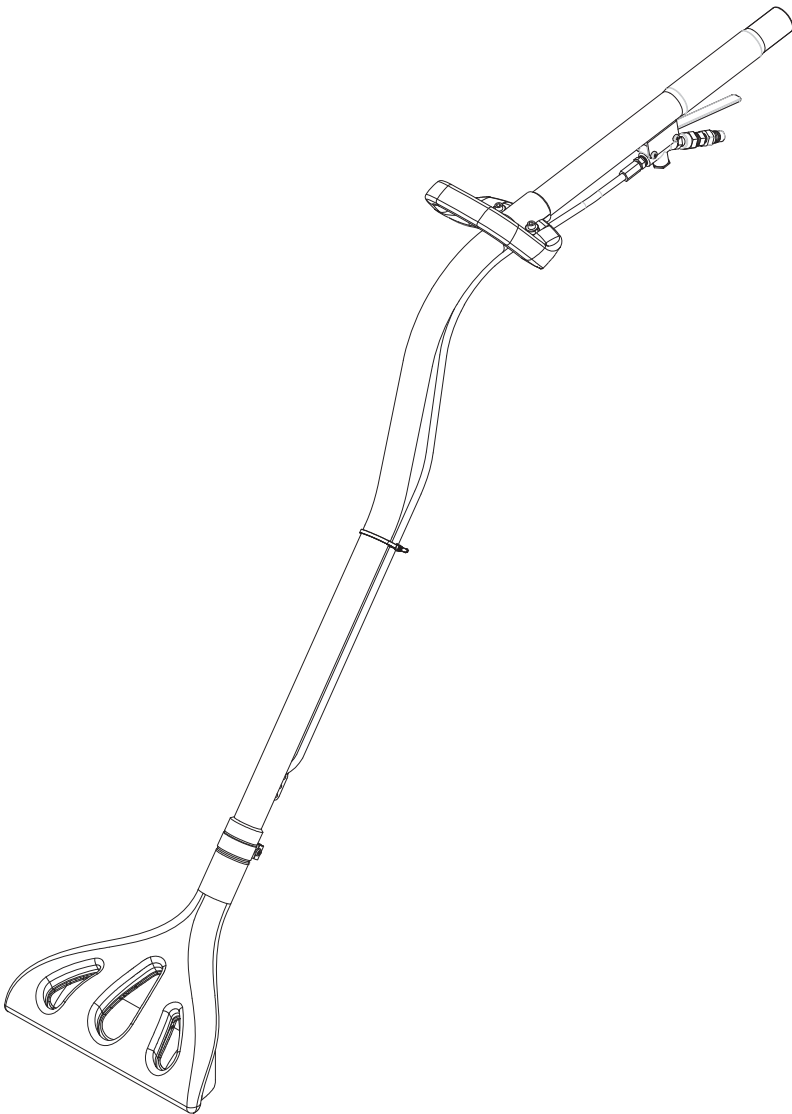


WAND ASM

INSTRUCTION SHEET



MODEL #

WAND, CARPET EXTRACTION, 13"

ORDER #

8.632-900.0

CONTENTS

Contents	2
Model and Dealer Data Log.....	2
Important Safety Information	3
Assembly Instructions.....	3
Exploded View & Parts List.....	4

Model and Dealer Data Log

Model Number _____

Date of Purchase _____

Dealer _____

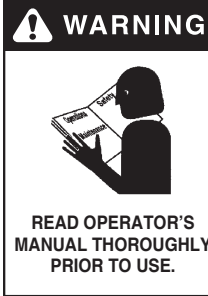
Address _____

Phone Number _____

Note: Fill in the Data Log upon receipt of your new accessory.

Parts may be ordered from your dealer. When placing an order for parts, the part number, model and order number must be included.

IMPORTANT SAFETY INFORMATION

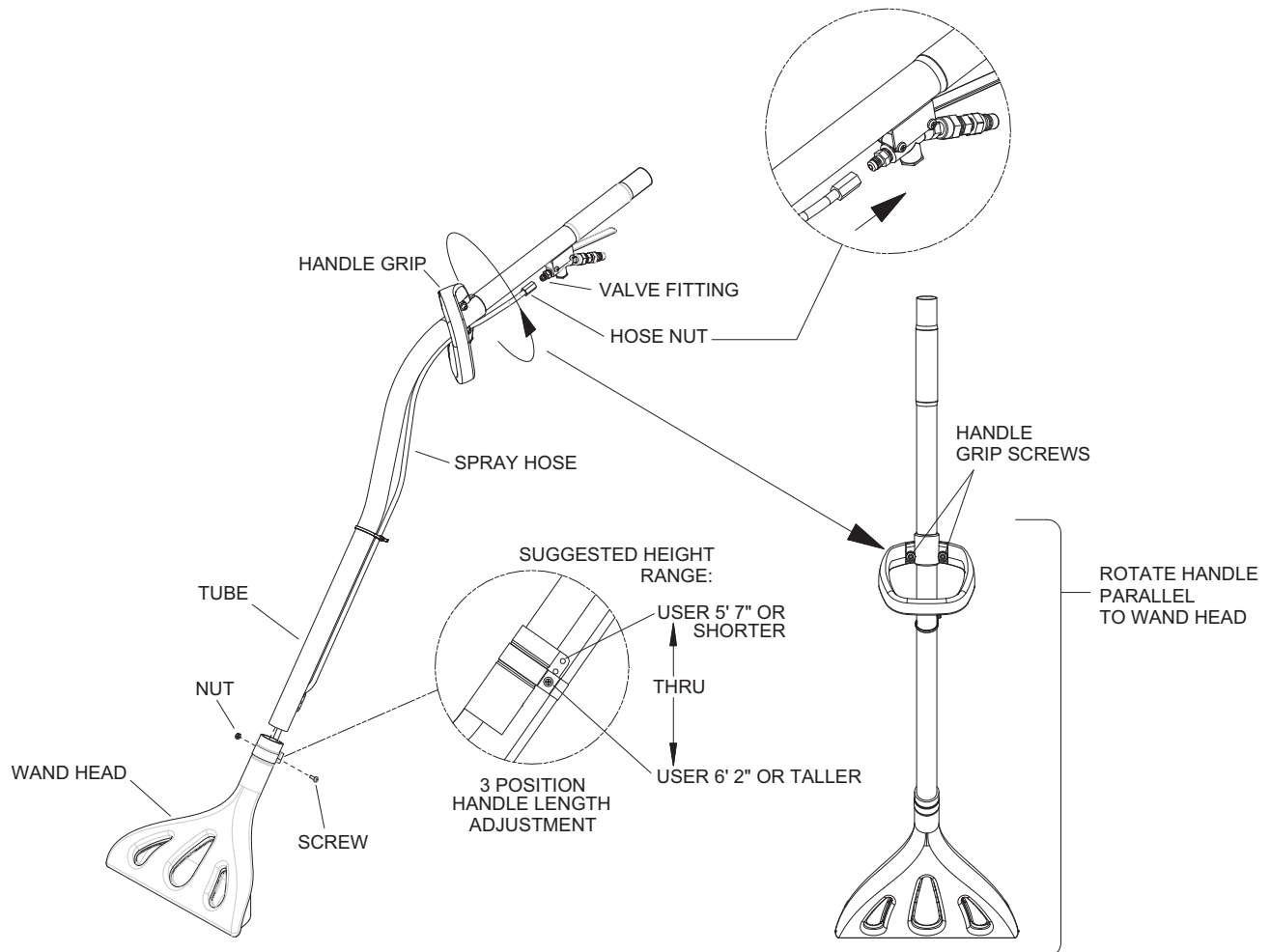


WARNING: To reduce the risk of injury, read all instructions thoroughly before using. This wand requires some assembly and adjustments.

TOOLS REQUIRED:

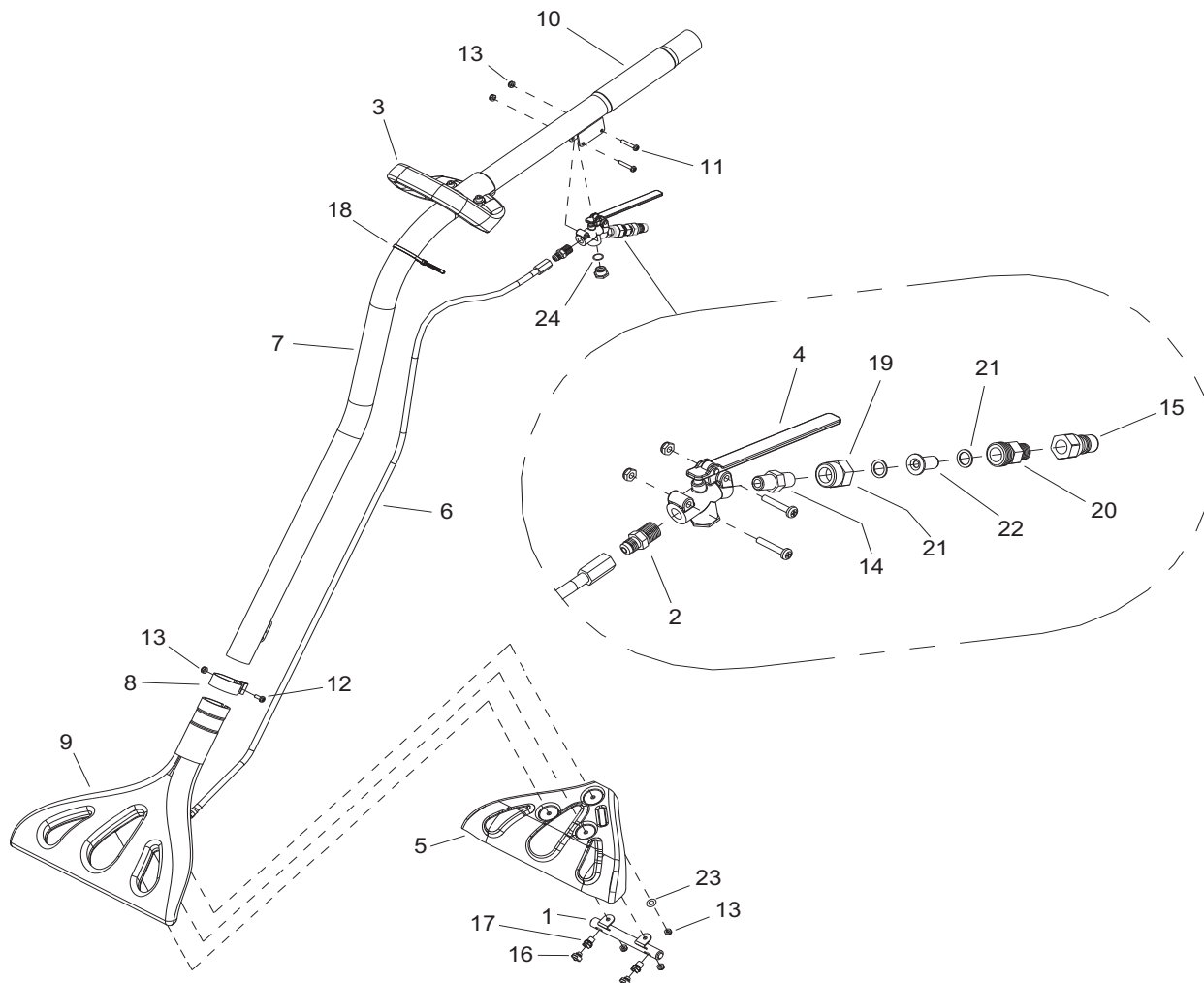
**PHILLIPS HEAD SCREW DRIVER 9/16" OPEN END WRENCH
(ALLEN WRENCH INCLUDED)**

ASSEMBLY INSTRUCTIONS



- 1. WAND HEAD:** PLACE WAND HEAD ON TUBE. POSITION AS SHOWN IN FIGURE.
- 2. INSERT SCREW INTO CORRECT POSITION FOR HEIGHT, INSTALL NUT AND TIGHTEN TO HOLD IN PLACE.**
- 3. SPRAY HOSE:** PLACE HOSE NUT ONTO VALVE FITTING AND TIGHTEN.
- 4. HANDLE GRIP:** LOOSEN HANDLE GRIP SCREWS IF NECESSARY. ROTATE HANDLE GRIP 90 DEGREES INTO POSITION AS SHOWN IN FIGURE ON THE RIGHT. TIGHTEN SCREWS TO HOLD IN PLACE.

EXPLODED VIEW



EXPLODED VIEW PARTS LIST

ITEM	PART #	DESCRIPTION	QTY	ITEM	PART #	DESCRIPTION	QTY
1	8.632-926.0	Manifold, Spray, Dual	1	13	8.735-050.0	Nylok Nut Hex #10-32 SS	6
2	8.617-765.0	Conn, 1/4P X 1/4T BR	1	14	8.624-768.0	Nipple, 1/4 Hex	1
3	8.922-368.0	Handle Wand Tool	1	15	8.600-558.0	Nipple, 1/4 FPT QD	1
4	8.632-727.0	Valve, Kingston, 30 DEG W/LVR	1	16	8.624-164.0	Jet, 11001, Mini-Quick	2
5	8.632-726.0	Shield, Wand Head	1	17	8.600-453.0	Jet Body, Mini-Quick w/Seal	2
6	8.632-725.0	Hose, Spray	1	18	9.802-511.0	Cable, Tie, 11" Black	1
7	8.929-020.0	Tube ASM, Wand	1	19	8.617-787.0	Cap, Bypass 4676-1/8 ZEEMS	1
8	8.632-720.0	Bracket, Clamp	1	20	8.617-786.0	Conn, 1/4P X 11/16-16M	1
9	8.919-853.0	Head, Wand, Dark Grey (Trim)	1	21	8.619-557.0	Washer, Nylon	2
10	8.620-220.0	Grip, Wand 1 1/2 X 6	1	22	8.619-349.0	Strainer, Jet, 50 Mesh	1
11	8.627-624.0	SCR, 10-32 X 1-1/8 PPHMS SS	2	23	8.718-977.0	Washer, 1/4" Flat, SS	1
12	8.718-760.0	SCREW, 10/32 X 5/8 PHIL PAN, SS	1	24	8.633-118.0	Kit, Valve, Kingston 251-30-Kit	1